



US00D784350S

(12) **United States Design Patent**
Li

(10) **Patent No.:** **US D784,350 S**

(45) **Date of Patent:** **** Apr. 18, 2017**

(54) **CASING FOR PORTABLE ELECTRONIC DEVICE**

(71) Applicant: **Jianhui Li**, Shenzhen (CN)

(72) Inventor: **Jianhui Li**, Shenzhen (CN)

(**) Term: **15 Years**

(21) Appl. No.: **29/573,252**

(22) Filed: **Aug. 4, 2016**

(51) **LOC (10) Cl.** **14-02**

(52) **U.S. Cl.**
USPC **D14/440**

(58) **Field of Classification Search**
USPC D14/250, 440, 447; 206/45.23, 320,
206/45.2; 361/679.55; 294/25; 224/218,
224/222; D9/414; D3/29; D11/3
CPC G06F 1/1628; G06F 1/1667; G06F 1/1626;
A47B 23/044; H04B 1/3888; A45C 11/00
See application file for complete search history.

(56) **References Cited**

U.S. PATENT DOCUMENTS

D363,511 S *	10/1995	Hui	D14/341
D384,980 S *	10/1997	Willems	D21/329
D492,303 S *	6/2004	Schlieffers	D14/341
D591,801 S *	5/2009	Mak	D21/469
D594,004 S *	6/2009	Takemasa	D14/341
D611,467 S *	3/2010	Gou	D14/315
D613,285 S *	4/2010	Grant	D14/341
D626,123 S *	10/2010	Peng	D14/324
D668,661 S *	10/2012	Norfolk	D14/440
D672,781 S *	12/2012	Lu	D14/440
D676,449 S *	2/2013	Probst	D14/440

D679,279 S *	4/2013	Yang	D14/440
D689,056 S *	9/2013	Li	D14/440
D690,704 S *	10/2013	Padilla	D14/440
D691,144 S *	10/2013	Peters	D14/440
D694,246 S *	11/2013	Park	D14/440
D703,672 S *	4/2014	Kim	D14/440
D709,063 S *	7/2014	Chang	D14/250
D709,064 S *	7/2014	Chang	D14/250
D712,412 S *	9/2014	Bleau	D14/440
D727,917 S *	4/2015	Yeo	D14/440
D752,052 S *	3/2016	Park	D14/440

* cited by examiner

Primary Examiner — Cynthia Underwood
(74) *Attorney, Agent, or Firm* — Novoclaims Patent Services LLC; Mei Lin Wong

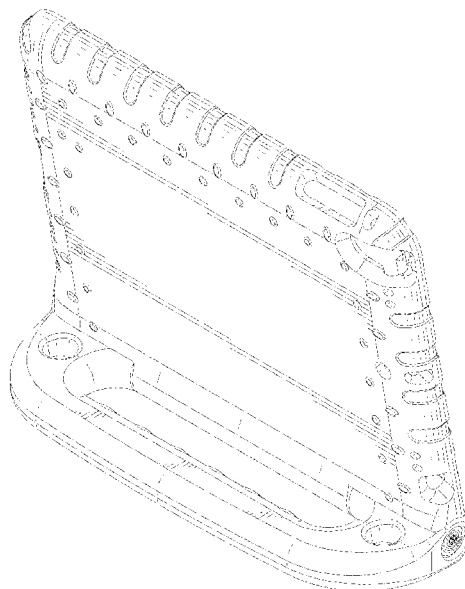
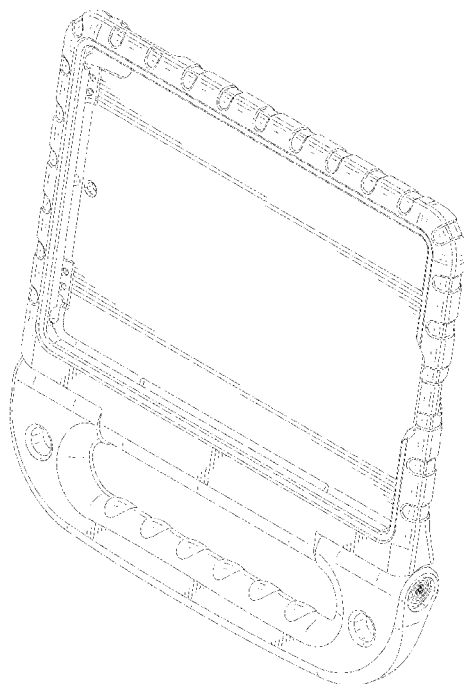
(57) **CLAIM**

The ornamental design for a casing for portable electronic device, as shown and described.

DESCRIPTION

FIG. 1 is a front perspective view of a casing for portable electronic device showing my new design.
FIG. 2 is a rear perspective view thereof.
FIG. 3 is a front view thereof.
FIG. 4 is a rear view thereof.
FIG. 5 is a left end view thereof.
FIG. 6 is a right end view thereof.
FIG. 7 is a top view thereof.
FIG. 8 is a bottom view thereof.
FIG. 9 is a front perspective view thereof, showing an in-use position; and,
FIG. 10 is a rear perspective view thereof, showing an in-use position.

1 Claim, 10 Drawing Sheets



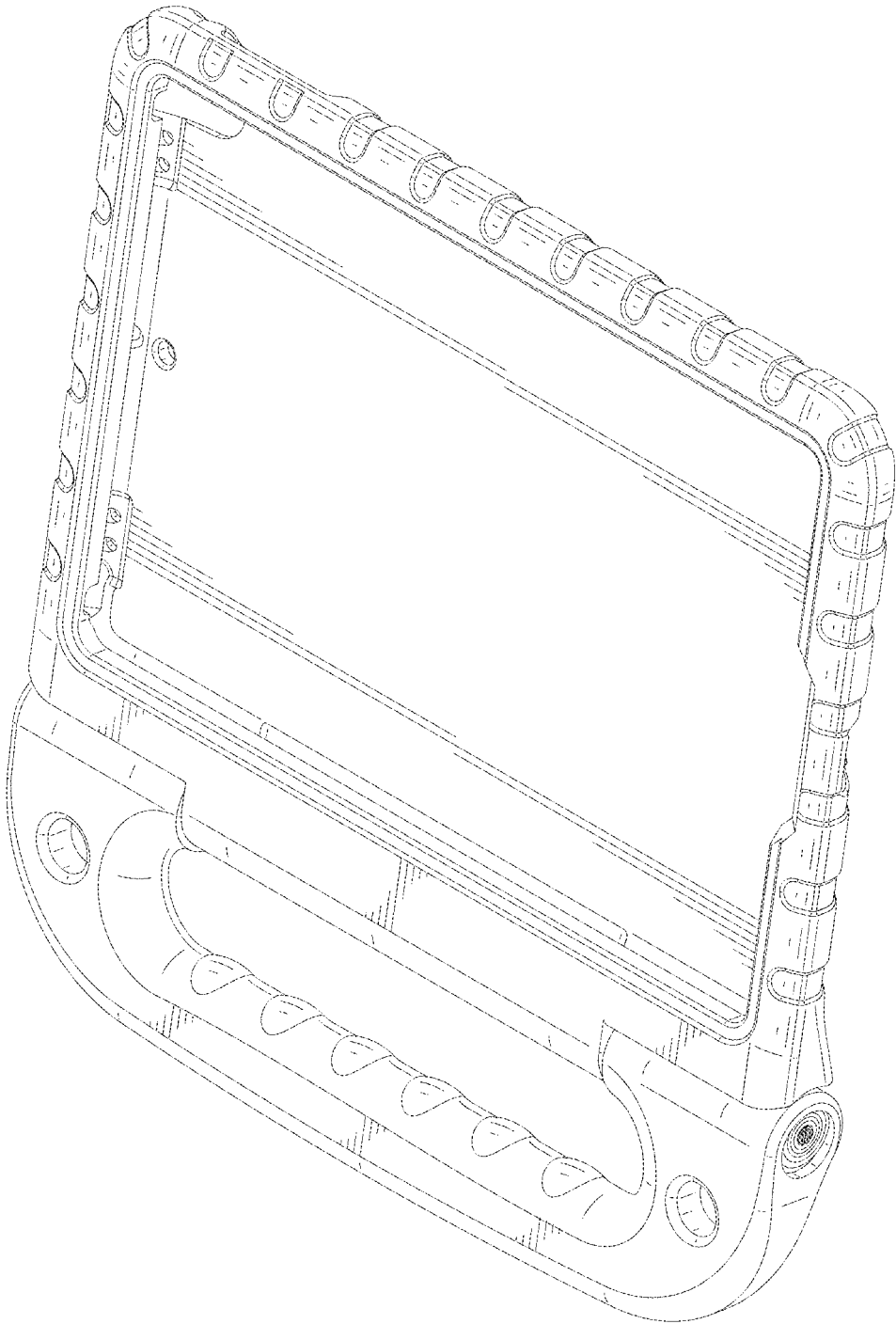


FIG.1

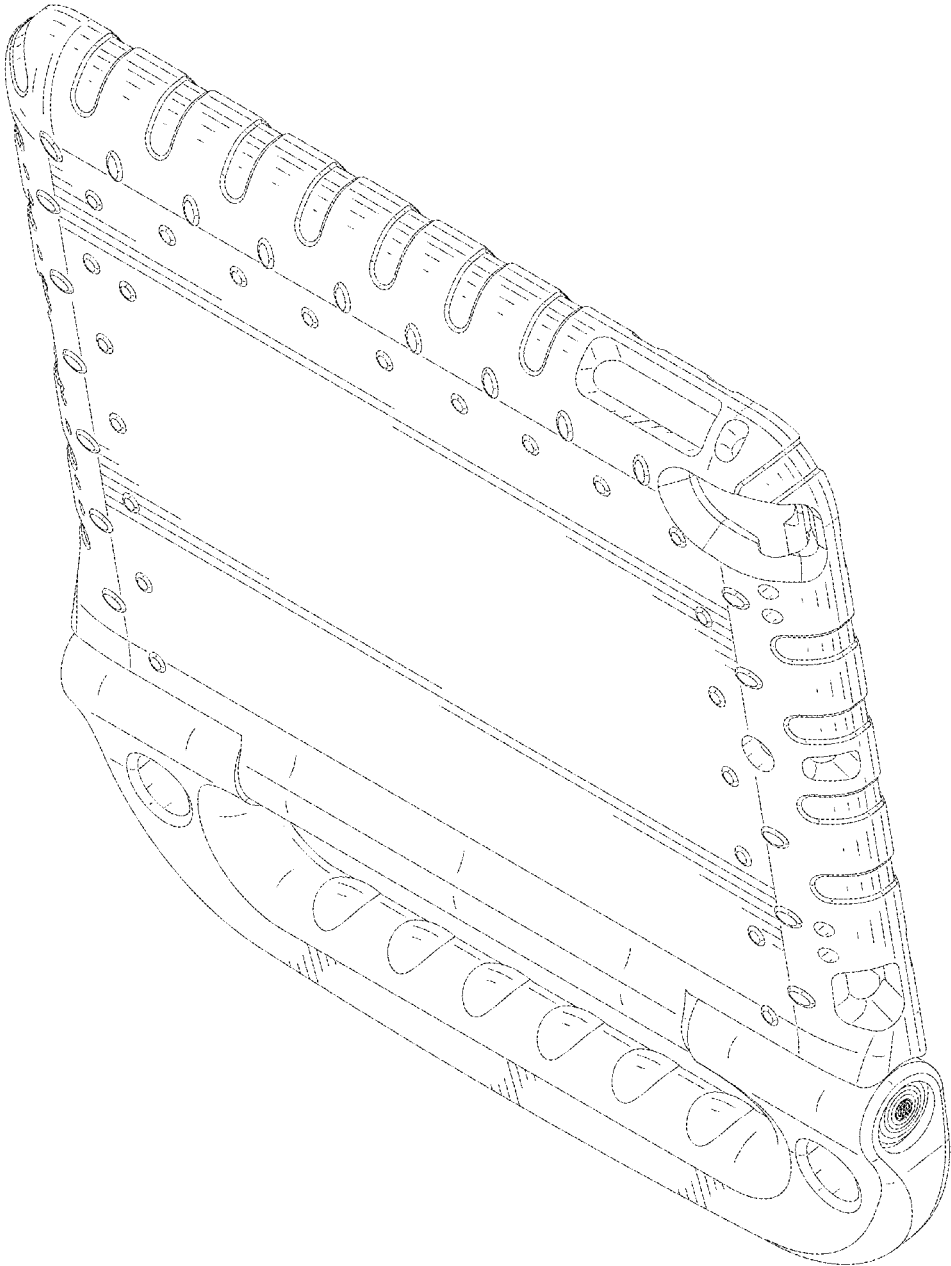


FIG.2

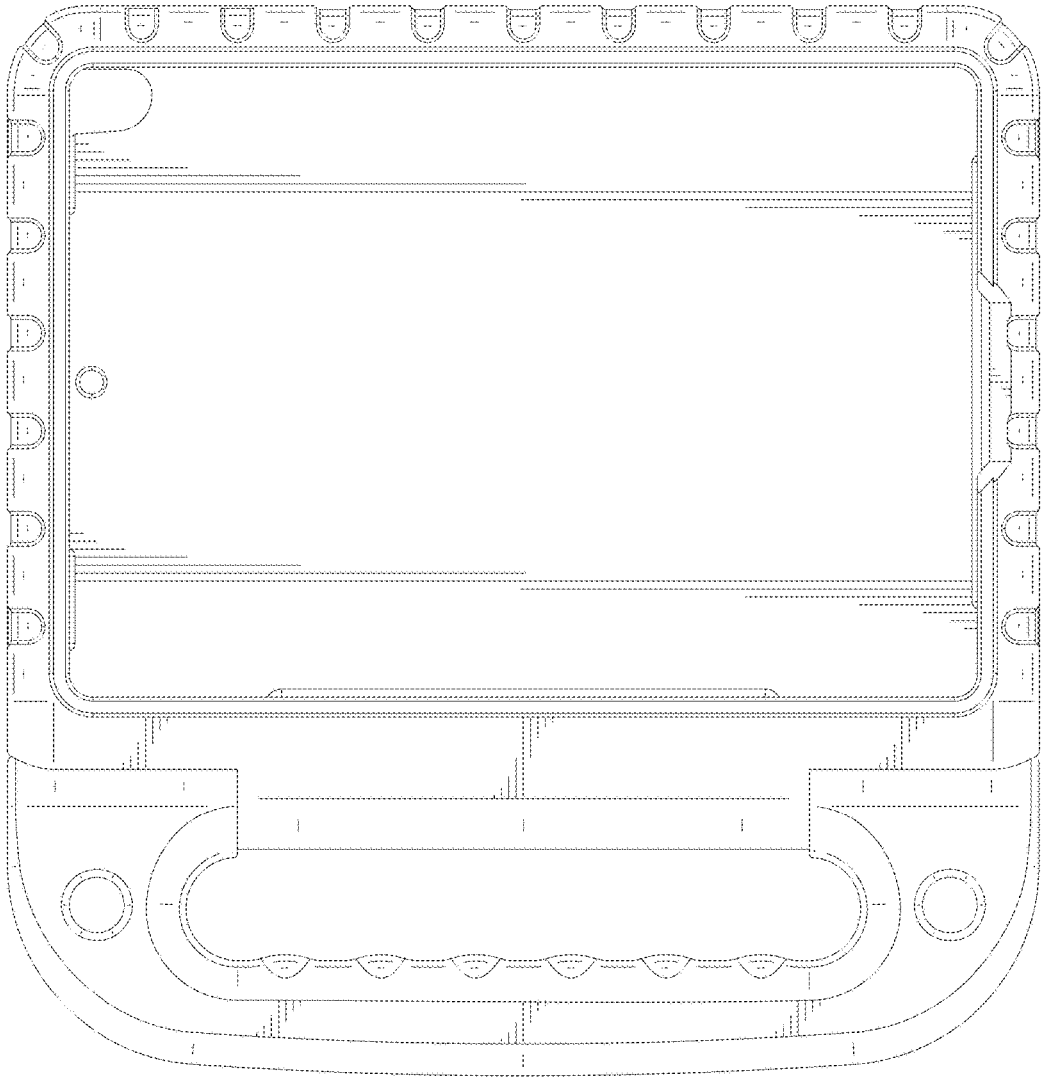


FIG.3

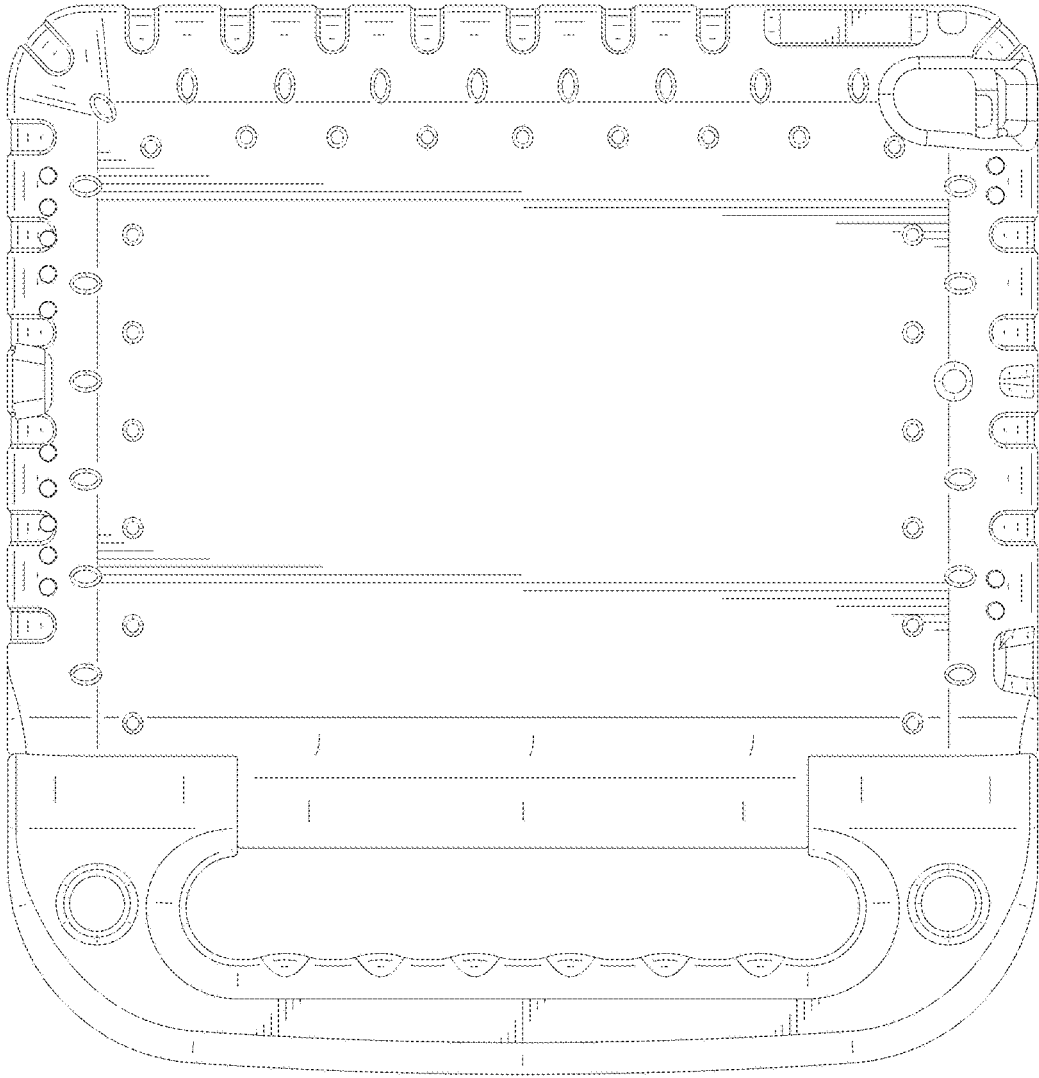


FIG.4

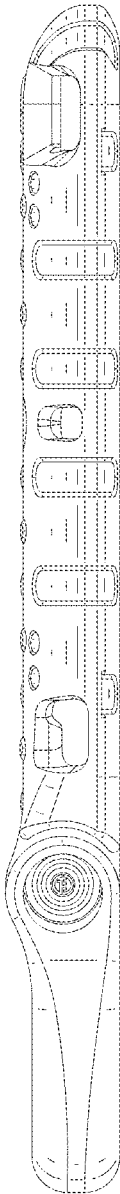


FIG.5

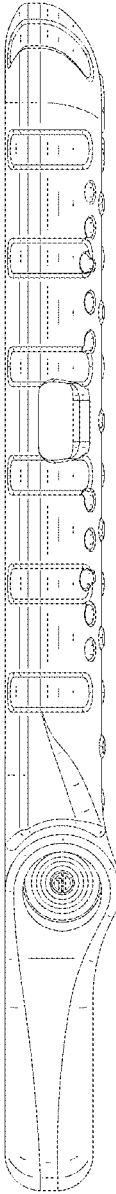


FIG.6

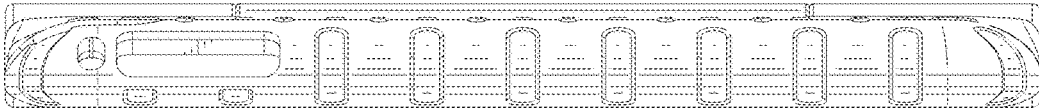


FIG.7

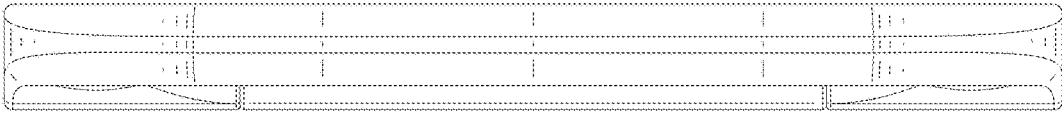


FIG.8

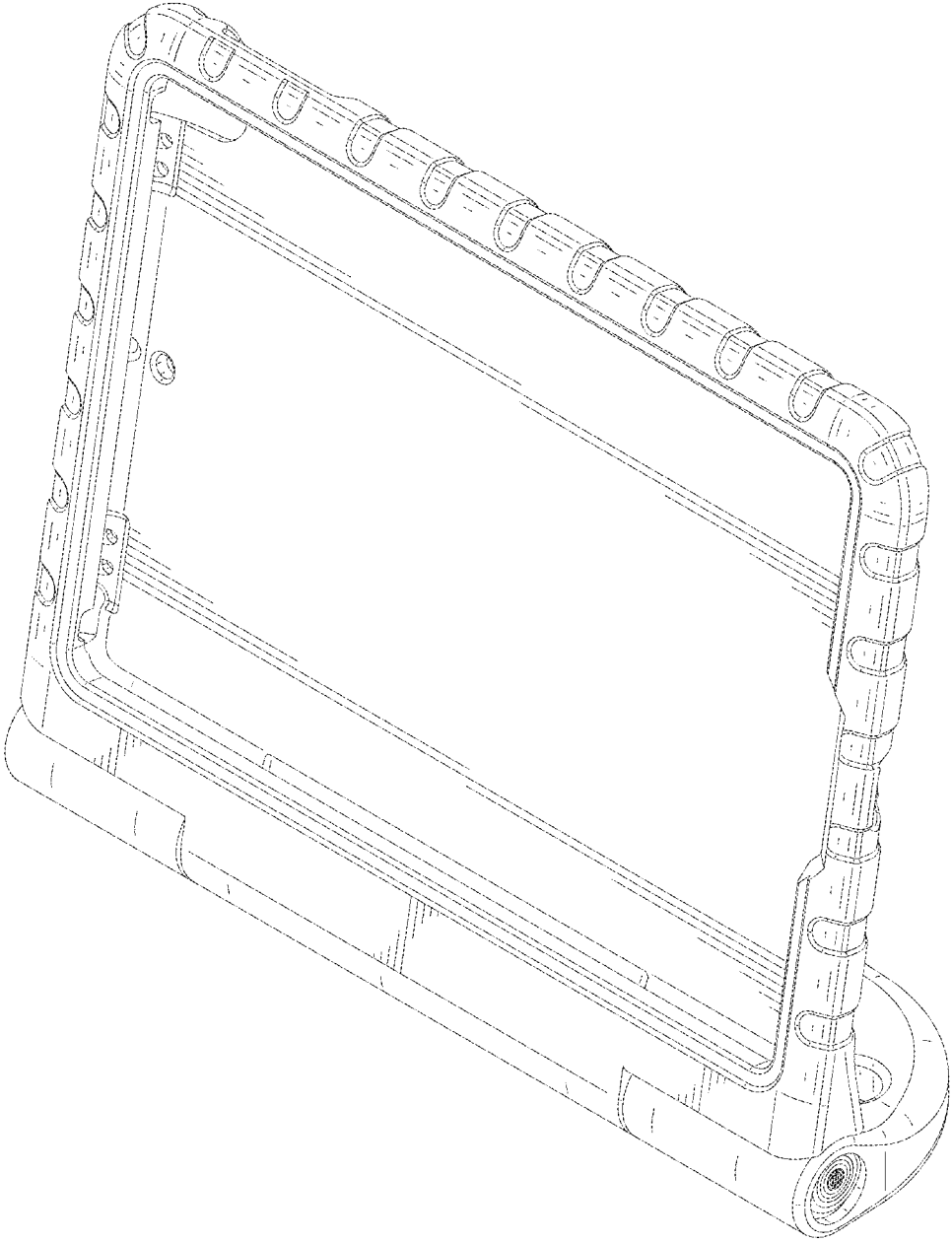


FIG.9

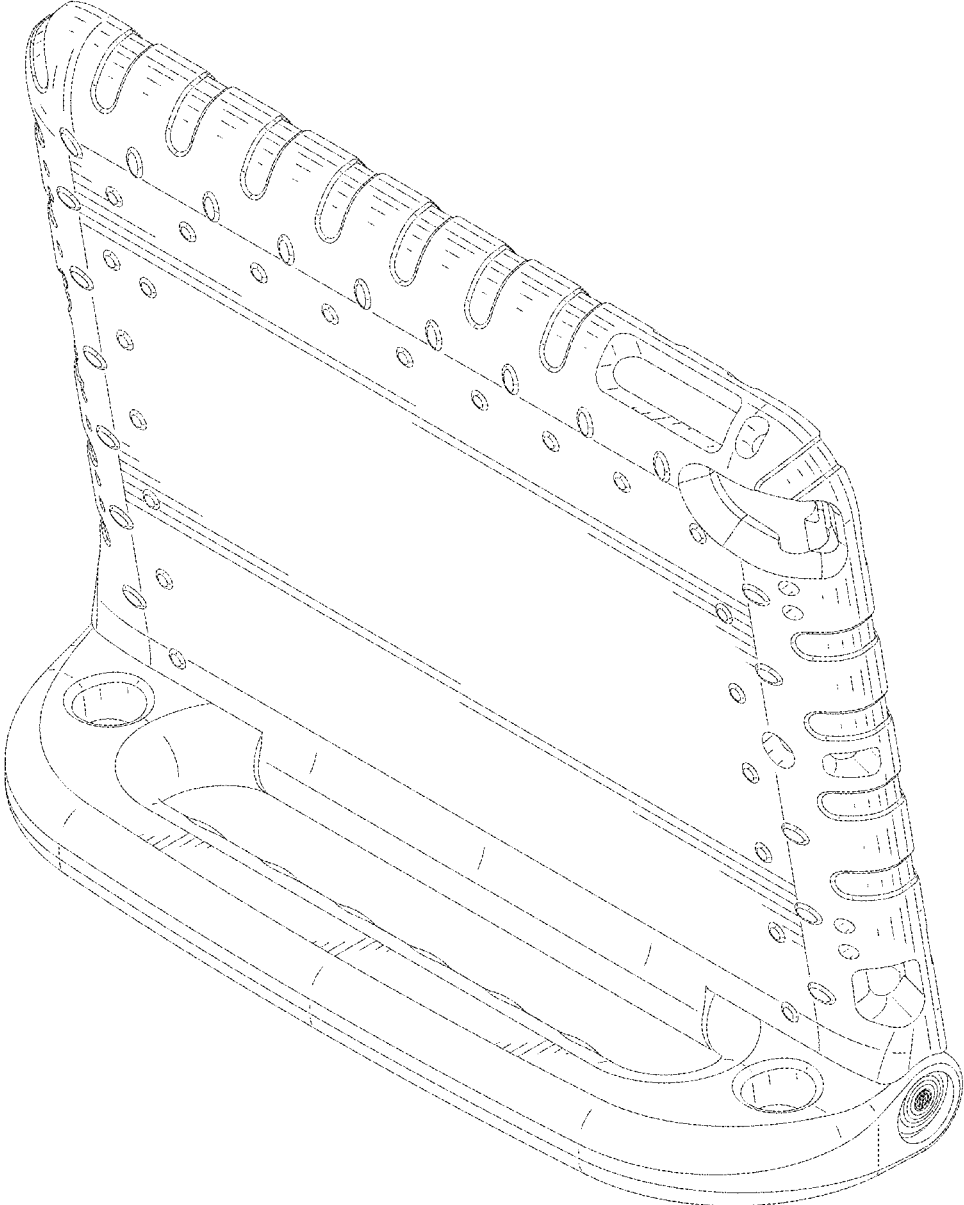


FIG.10