

The
United
States
of
America



**The Director of the United States
Patent and Trademark Office**

Has received an application for a patent for a new, original, and ornamental design for an article of manufacture. The title and description of the design are enclosed. The requirements of law have been complied with, and it has been determined that a patent on the design shall be granted under the law.

Therefore, this

United States Patent

Grants to the person(s) having title to this patent the right to exclude others from making, using, offering for sale, or selling the design throughout the United States of America or importing the design into the United States of America for the term of fourteen years from the date of grant of this patent, subject to any disclaimer under 35 U.S.C. 253.

Lucia Staret Koo

Acting Director of the United States Patent and Trademark Office



US00D689056S

(12) **United States Design Patent**
Li

(10) **Patent No.:** **US D689,056 S**
(45) **Date of Patent:** **** Sep. 3, 2013**

(54) **PROTECTIVE CASING FOR PDA, TABLET PC, IPAD AND THE LIKE**

(76) Inventor: **Jianhui Li, Shenzhen (CN)**

(**) Term: **14 Years**

(21) Appl. No.: **29/431,862**

(22) Filed: **Sep. 11, 2012**

(51) **LOC (9) Cl.** **14-02**

(52) **U.S. Cl.**

USPC **D14/440**

(58) **Field of Classification Search**

USPC D14/250, 251, 253, 240, 217, 496,
D14/440, 203.3, 203.4, 203.5, 203.8, 341,
D14/318; D3/215, 218, 201, 294, 289, 900;
220/4.02; 248/309.1; 361/679.56; 397/426,
397/433.11, 455; 190/100; 206/305, 320;
455/575.1, 575.8; D21/469

See application file for complete search history.

(56) **References Cited**

U.S. PATENT DOCUMENTS

681,976	A *	9/1901	Rathvon	248/456
1,370,279	A *	3/1921	Burzynski	211/43
2,354,782	A *	8/1944	Stradling et al.	281/16
2,726,835	A *	12/1955	Hummel	248/459
D230,376	S *	2/1974	Andrew	D19/91
4,318,527	A *	3/1982	Smith	248/459
4,703,160	A *	10/1987	Narishima et al.	235/1 D
4,718,550	A *	1/1988	Johnson	206/387.13
D363,511	S *	10/1995	Hui	D21/329
D466,356	S *	12/2002	Marsilio	D6/632
6,493,969	B2 *	12/2002	Devos	40/120
D469,438	S *	1/2003	Corrales	D14/432
D471,008	S *	3/2003	Dubone	D3/247
D478,623	S *	8/2003	Wilburn	D19/26
6,646,672	B2 *	11/2003	Feierbach	348/14.02
D498,753	S *	11/2004	Yamada	D14/328
D532,822	S *	11/2006	White et al.	D19/52
D546,878	S *	7/2007	Bharma	D19/26

7,318,521	B2 *	1/2008	Lau	206/45.24
D581,865	S *	12/2008	Koza	D13/102
D584,314	S *	1/2009	Davis et al.	D14/440
D594,004	S *	6/2009	Takemasa	D14/341
7,542,052	B2 *	6/2009	Solomon et al.	345/659
D609,226	S *	2/2010	Hofer et al.	D14/248
D626,123	S *	10/2010	Peng	D14/324
8,016,107	B2 *	9/2011	Emsky	206/320
D646,266	S *	10/2011	Kim et al.	D14/250
D648,529	S *	11/2011	Brown	D3/269
D654,069	S *	2/2012	Kwon et al.	D14/250
8,132,670	B1 *	3/2012	Chen	206/320
D659,139	S *	5/2012	Gengler	D14/392
D662,100	S *	6/2012	Van Den Nieuwenhuizen et al.	D14/440
D662,503	S *	6/2012	Akana et al.	D14/439
D663,304	S *	7/2012	Akana et al.	D14/440
8,230,992	B2 *	7/2012	Law et al.	206/320
D665,809	S *	8/2012	Wang et al.	D14/439

(Continued)

Primary Examiner — Cynthia Underwood

(74) *Attorney, Agent, or Firm* — Novocclaims Patent Services, LLC; Mei Lin Wong

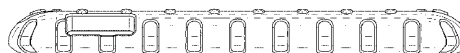
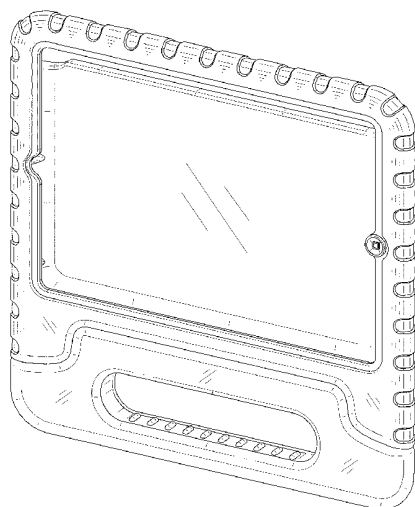
(57) **CLAIM**

The ornamental design for a protective casing for PDA, Tablet PC, IPAD and the like, as shown and described.

DESCRIPTION

FIG. 1 is a front perspective view of a protective casing for PDA, Tablet PC, IPAD and the like showing my new design. FIG. 2 is a front view thereof. FIG. 3 rear view thereof. FIG. 4 is a left end view thereof. FIG. 5 is a right end view thereof. FIG. 6 is a top view thereof. FIG. 7 is a bottom view thereof. FIG. 8 is a rear perspective view thereof; and, FIG. 9 is a front perspective view showing a standing position thereof.

1 Claim, 8 Drawing Sheets



(56)

References Cited

U.S. PATENT DOCUMENTS

8,235,208	B2 *	8/2012	Sirichai et al.	206/320	D679,279	S *	4/2013	Yang et al.	D14/440
8,245,843	B1 *	8/2012	Wu	206/320	2009/0194209	A1 *	8/2009	De Filippis et al.	150/107
D669,480	S *	10/2012	Piedra et al.	D14/440	2010/0289390	A1 *	11/2010	Kenney	312/223.1
D672,781	S *	12/2012	Lu	D14/440	2012/0043231	A1 *	2/2012	Perrier et al.	206/216
D673,158	S *	12/2012	Yang et al.	D14/440	2012/0170212	A1 *	7/2012	Gallouzi et al.	361/679.56
D674,801	S *	1/2013	Wharram	D14/440	2012/0194448	A1 *	8/2012	Rothkopf	345/173
					2012/0212896	A1 *	8/2012	Schulz	361/679.02

* cited by examiner

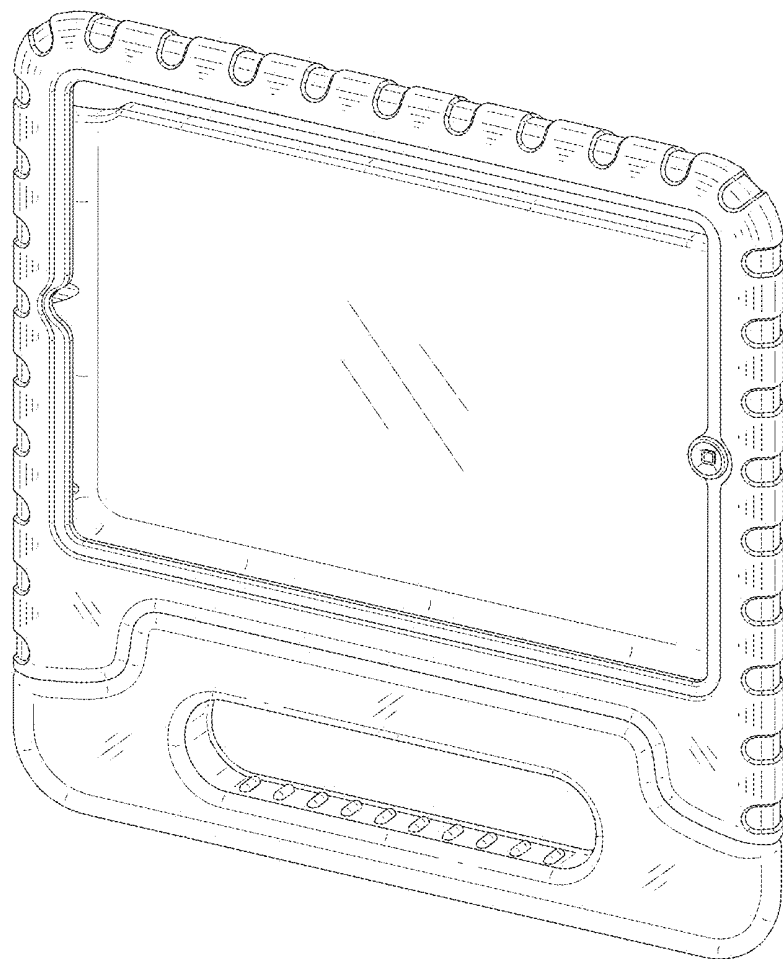


FIG. 1

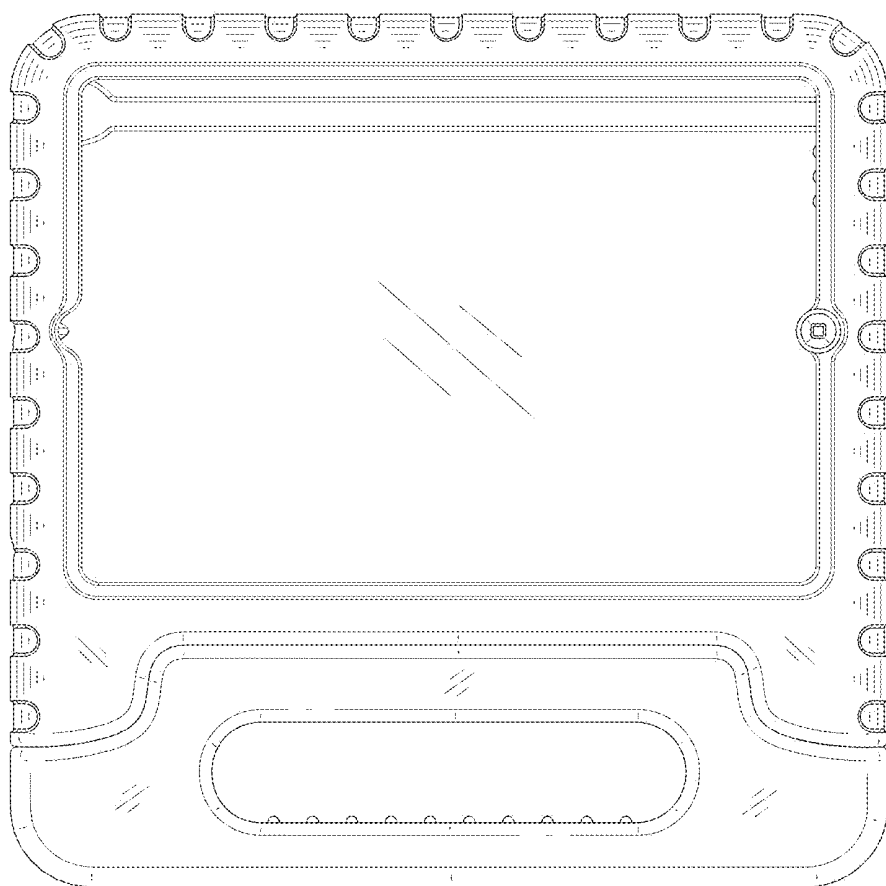


FIG.2

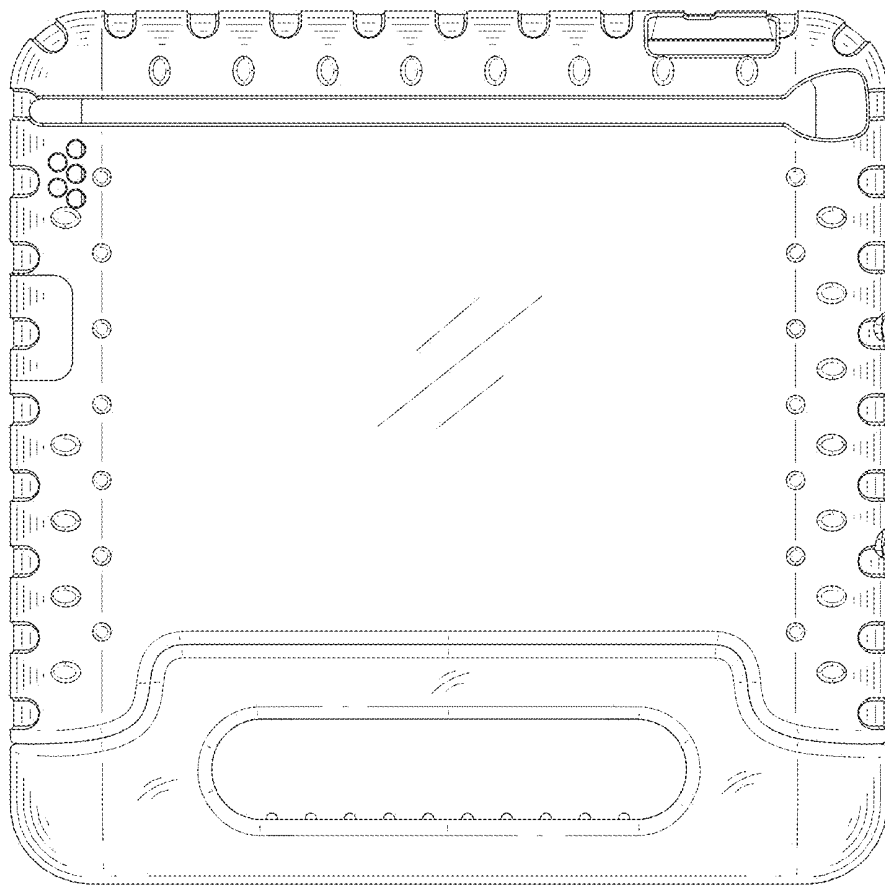


FIG.3

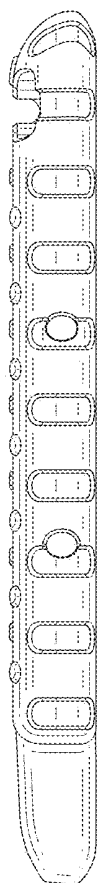


FIG.4

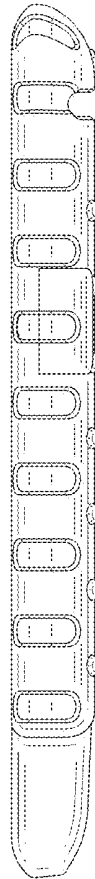


FIG.5

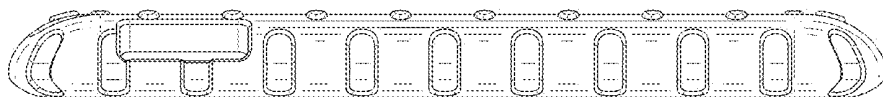


FIG. 6

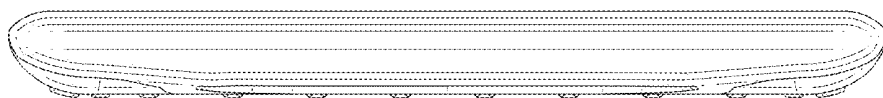


FIG. 7

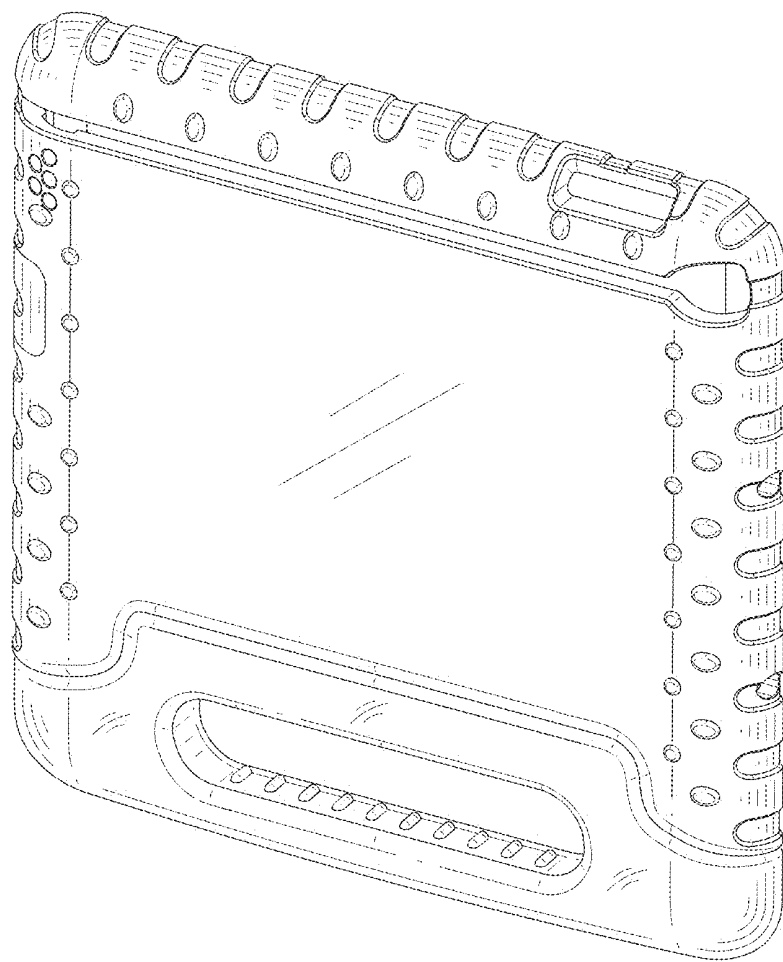


FIG.8

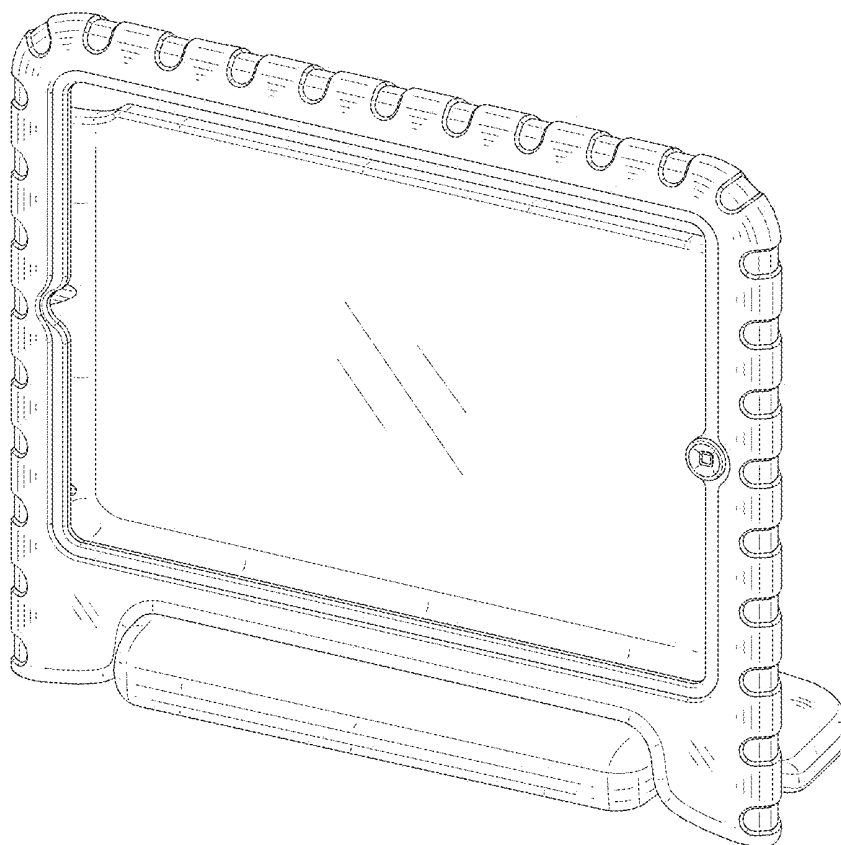


FIG.9